

Technical data sheet



Product features

Food display island heated, glass ceramic GN 4-1/1 Wenge

| | | |
|--------------|-----------------|----------|
| Model | SAP Code | 00012153 |
|--------------|-----------------|----------|



- Buffet type: BROWN - heated, glass-ceramic
- Device properties: Warmed
- Number of GN / EN: 4
- GN / EN size in device: GN 1/1
- Minimum device temperature [°C]: 60
- Maximum device temperature [°C]: 100

| | | | |
|----------------------------|----------|--|--------------------|
| SAP Code | 00012153 | Loading | 230 V / 1N - 50 Hz |
| Net Width [mm] | 1494 | Number of GN / EN | 4 |
| Net Depth [mm] | 650 | GN / EN size in device | GN 1/1 |
| Net Height [mm] | 1288 | Minimum device temperature [°C] | 60 |
| Net Weight [kg] | 89.00 | Maximum device temperature [°C] | 100 |
| Power electric [kW] | 1.140 | | |

Technical data sheet



Technical drawing

Food display island heated, glass ceramic GN 4-1/1 Wenge

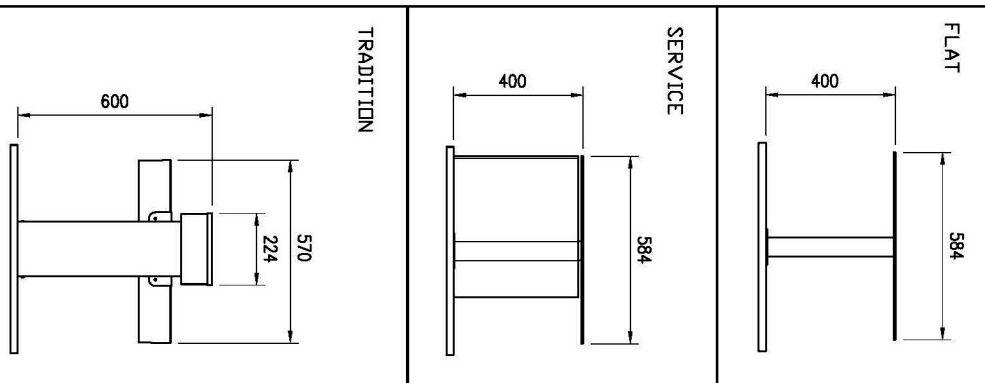
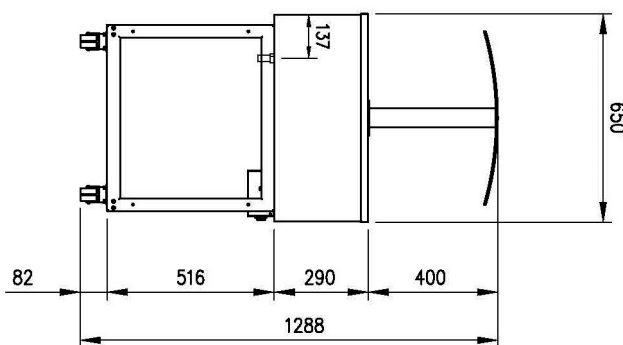
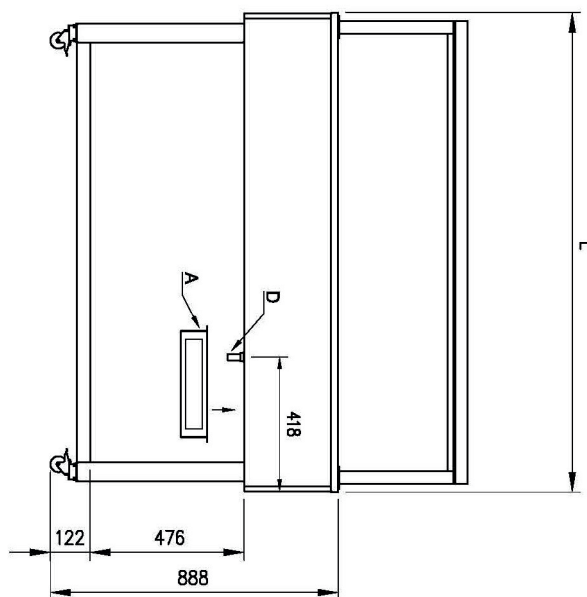
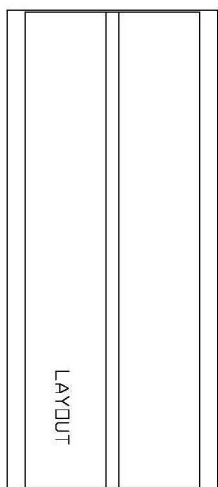
Model

SAP Code

00012153

A = ELECTRICAL CONNECTION
D = WATER DISCHARGE Ø14

| GN | L |
|-----|------|
| 3/1 | 1169 |
| 4/1 | 1494 |
| 6/1 | 2144 |



Technical data sheet



Product benefits

Food display island heated, glass ceramic GN 4-1/1 Wenge

Model

SAP Code

00012153

1

Glass ceramic plate

- smooth hard surface
- endurance
 - easy maintenance
 - long service life

2

No press

- without sharp edges and corners
 - higher hygienic safety
 - time saving due to easy cleaning

3

All-stainless steel construction

- harmless to health for contact with food
- robustness
 - long service life
 - very easy to clean

4

Halogen lighting

- heating from above
 - more even heating of food
 - greater hygienic safety

5

Travel wheels

- portable buffet table
 - greater flexibility in dispensing
 - possibility of use at banquets
 - easier and safer handling

6

Breath galley

- galerka made of hygienic pexiglass with infrared heating
 - hygienic food protection
 - heating and lighting of food from above

Technical data sheet



Technical parameters

Food display island heated, glass ceramic GN 4-1/1 Wenge

Model

SAP Code

00012153

1. SAP Code:

00012153

2. Net Width [mm]:

1494

3. Net Depth [mm]:

650

4. Net Height [mm]:

1288

5. Net Weight [kg]:

89.00

6. Gross Width [mm]:

1530

7. Gross depth [mm]:

730

8. Gross Height [mm]:

1100

9. Gross Weight [kg]:

103.20

10. Device type:

Electric unit

11. Buffet type:

BROWN - heated, glass-ceramic

12. Device properties:

Warmed

13. Exterior color of the device:

Hemlock

14. Power electric [kW]:

1.140

15. Loading:

230 V / 1N - 50 Hz

16. Number of GN / EN:

4

17. GN / EN size in device:

GN 1/1

18. Minimum device temperature [°C]:

60

19. Maximum device temperature [°C]:

100

20. Interior lighting:

No

21. Cross-section of conductors CU [mm²]:

0,5

- Výkon (kW): 2,4-3,3 (230 V)